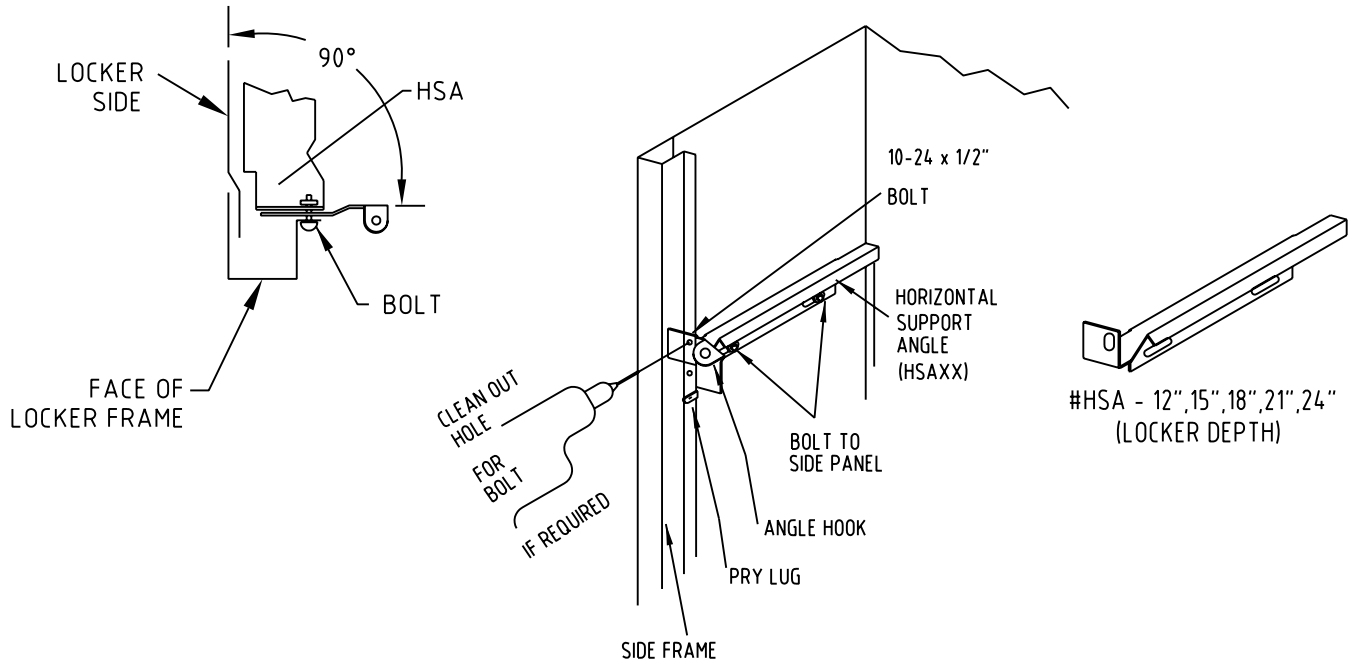


HORIZONTAL SUPPORT ANGLE (HSA)

Installation Instructions for

Marquis Student KD Single-Point Lockers Using Built-In Combination Locks

This component is to be bolted on...never riveted



Required When Using Built-In Locks on Marquis Student Single 60" & 72" Single and Double Tier Lockers

1. Bolt loosely to side panel.
2. Slide forward to back of angle hook.
3. Bolt to angle hook and tighten.
4. Hold hook square to frame and tighten side panel bolts.

General Instructions

1. Check material received against the packing list. First check the number of packages received and then check the contents of each package.
2. Check material received for damage. If damage has occurred, secure a "damage notation" from the carrier.
3. Identify each part as it is unpacked and put like parts together as close as possible to the working area in which they are to be assembled.
4. Be careful to use the correct hardware as specified in the assembly instructions.

CAUTION

IN THE INTEREST OF SAFETY, ALL LOCKERS MUST BE SECURELY ANCHORED TO THE FLOOR AND/OR WALL.
FOR SAFETY, HANDLE ALL COMPONENTS CAREFULLY AND WEAR WORK-GLOVES WHEN ASSEMBLING LOCKERS.

INSTALL ALL UNITS PLUMB AND TIGHTEN ALL HARDWARE SECURELY.
RETAIN INSTRUCTIONS FOR FUTURE REFERENCE.



401 Jim Moran Blvd., P.O. Box 9601 Phone (954) 429-9155
Deerfield Beach, FL 33442 Fax (954) 428-3843

www.ListIndustries.com